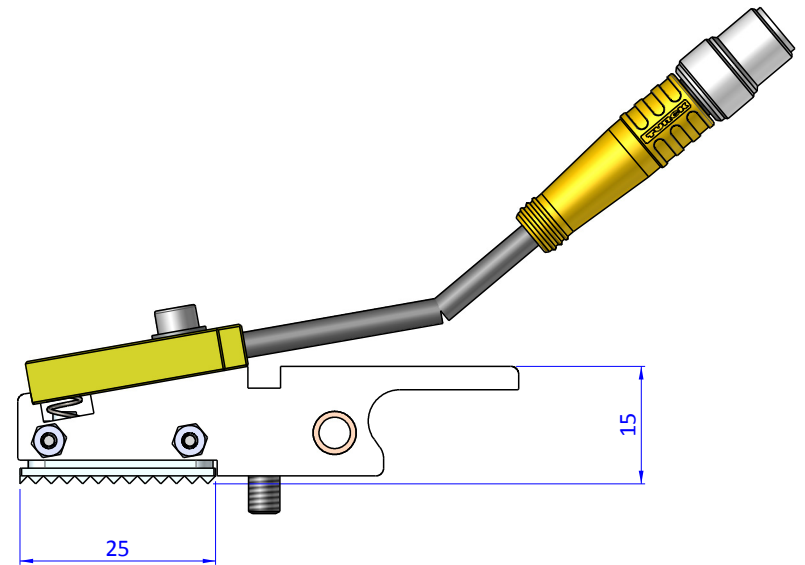
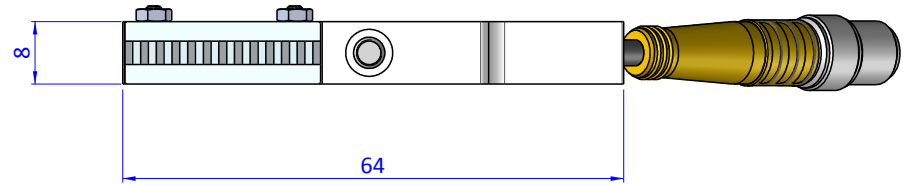
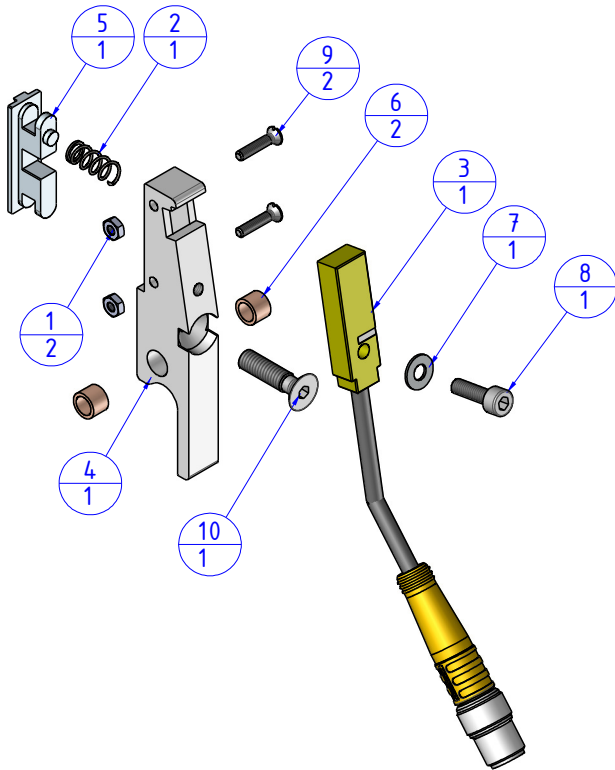



THE PROPERTY OF THE DRAWING IS ESTABLISHED BY LAW. IT IS FORBIDDEN TO PRODUCE OR SHOW IT TO THIRD PARTY, WITHOUT A WRITTEN AGREEMENT.

| Item | Name | Q.ty |
|------|---------------|------|
| 1 | D.2 | 2 |
| 2 | DIM.11010 | 1 |
| 3 | GRZ.20.SC.NPN | 1 |
| 4 | GTS.1003.15 | 1 |
| 5 | GTS.1003.15.1 | 1 |
| 6 | PAP.0405504 | 2 |
| 7 | R.3 | 1 |
| 8 | V.TCE3x10 | 1 |
| 9 | V.TSP2X10 | 2 |
| 10 | V.TSP4x16 | 1 |



Format A3

UNI 936-76

| | | | | |
|--|--|----------------|---------|-------------|
|  FPS FPSERVICES AUTOMATION | | DESIGNED FROM | | REVIEW |
| | | FPS Automation | | A |
| GENERAL TOLERANCE | | DATE | WEIGHT | |
| UNI - ISO 2768 | | 22/03/2019 | 0,016kg | |
| CLASSE f | | CODE | | |
| | | GTS.03.15.N | | GTS.03.15.N |